

Easy Glazing & Cooling System

Advanced glazing & cooling solutions



- Rugged glazing & cooling machines
- Flexible system
- Fast & easy production process
- Easy to clean & sanitize
- Small footprint



Easy Layer, Easy-Inject system
& TR-850 Injector injecting
“Fish in Fish” or “Meat in Meat”

High Quality Glazing

Advanced glazing process both dipping and spraying.
The Easy Glazing System handles raw material gently

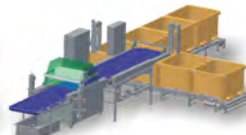
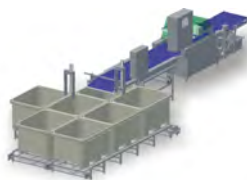
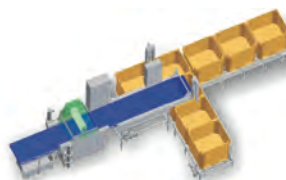


Available is an extensive range of glazing machines, built to customer needs. Years of experience, our solutions are state of the art.



Benefits:

- ◆ Glazing fish & meat while processing
- ◆ Rugged Stainless steel unit
- ◆ Multi purpose glazing system
- ◆ Easy adjustable settings
- ◆ Many different sizes
- ◆ Energy efficient
- ◆ Reliable system
- ◆ Easy to clean & sanitize
- ◆ Built to customer specifications



TR 850 Injection machine, Easy Inject with Easy Layer and Automatic Tub System

Advanced Cooling System

Chills fish, meat, protein & other food products while they are being processed



Chilling & cooling to safe processing temperature

1

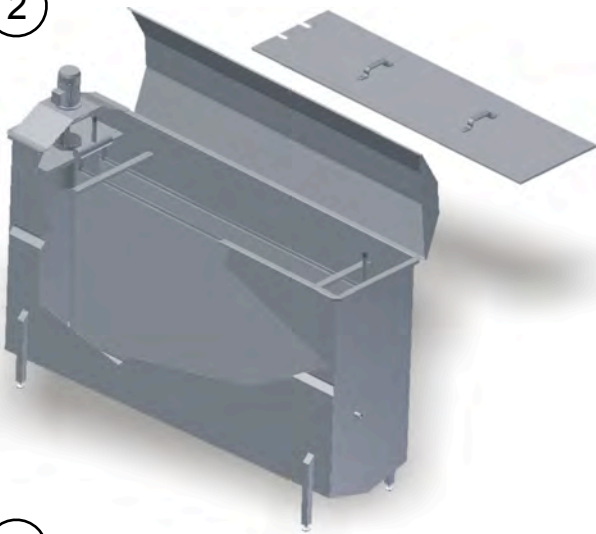


4



Easy Cooler.
To chill fish fillets, meat & other food product that needs liquid chilling, while being processed.

2



3



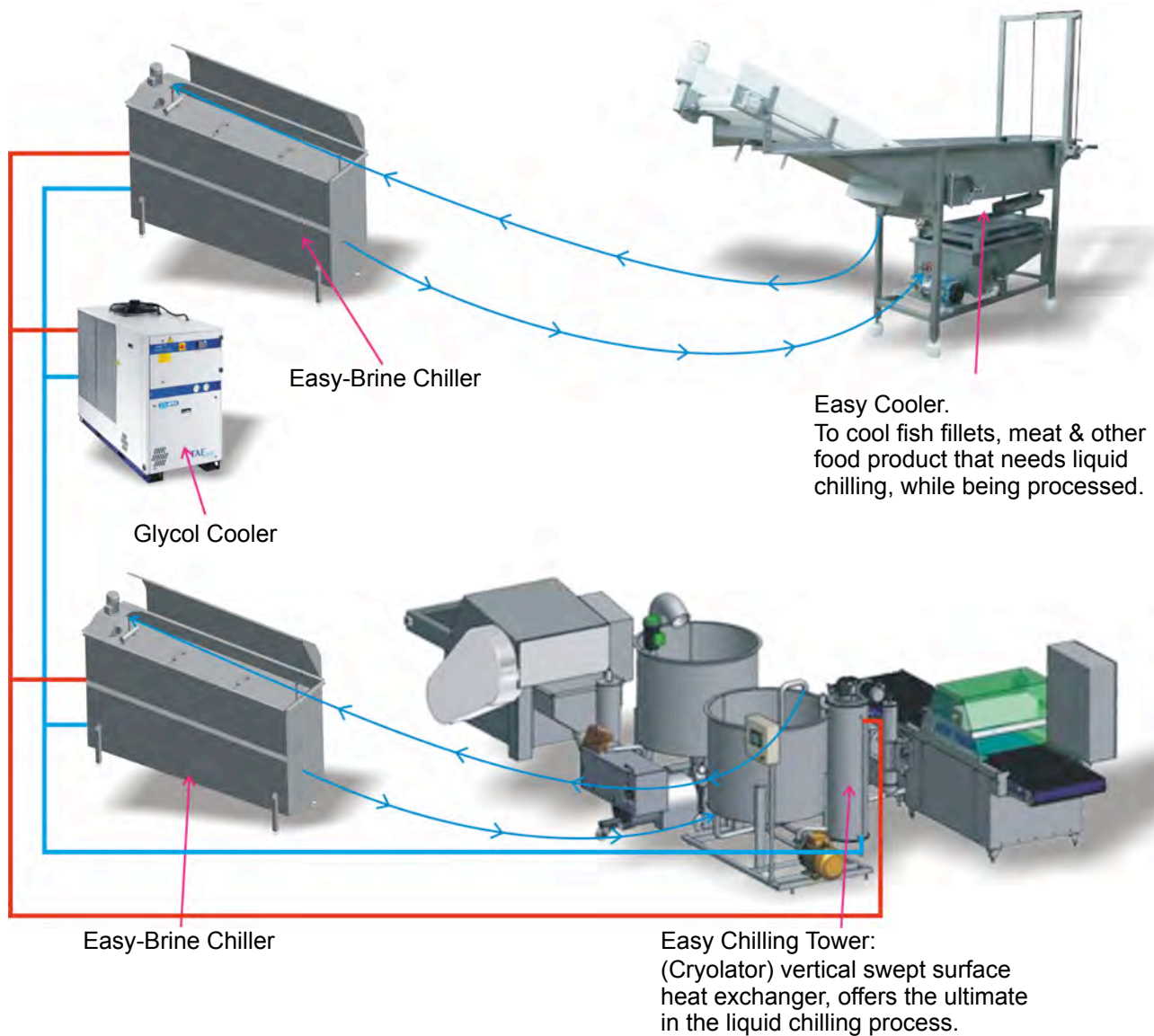
Easy chilling tower (Cryolator)
vertical swept surface heat
exchanger, offers the ultimate
in the liquid process.

- 1) Glycol cooler
- 2) Easy brine chiller
- 3) Easy chilling tower
- 4) Easy Cooler

Benefits of Easy Chilling:

- Chills fish, meat & protein while processing
- Chilling tower: Vertical or horizontal
- Multi purpose cooling system
- Material: Stainless steel
- User-friendly touch screen
- Internet connection
- Easy adjustable settings
- Many different sizes
- Energy efficient
- Reliable system
- Reduces risk of contamination
- Easy to clean & sanitize
- Built to customer specification

Easy Chiller & Cooling System



Available is a wide range of Easy Brine Mixing Systems



Optimize your investment with custom-made solutions.

Traust Know How, Ltd., has been a leader developing fish processing equipment for over 30 years. Our qualified team of engineers with years of experience design and develop all our fish processing plants/equipment to suit the need of the fish processing industry around the world.



Agent North America:
OGO Global, LLC. Lynnwood, WA 98087 USA.
Office: +1-425-608-0270 or 425-242-8152
info@ogo-global.com www.ogo-global.com

 **TRAUST**
KNOW HOW LTD.
www.traust.is traust@traust.is
Office phone: +354-516-3000