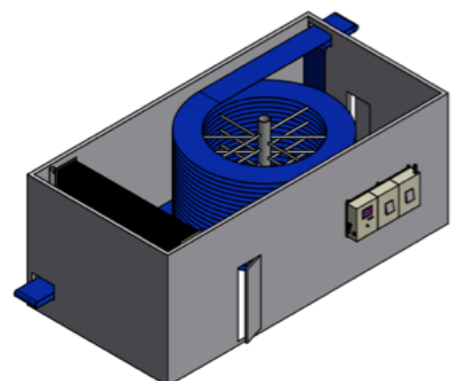


Freezing solutions

Belt - Blast & Spiral Freezing Systems



- ★ Efficient freezing system
- ★ Compact
- ★ Small footprint
- ★ Safe & easy to operate
- ★ Turn-key solution



Advanced Freezing Systems

Save cost with energy efficient freezing solutions



All freezing plants are built according to customer needs and specification.



Freezing tunnels



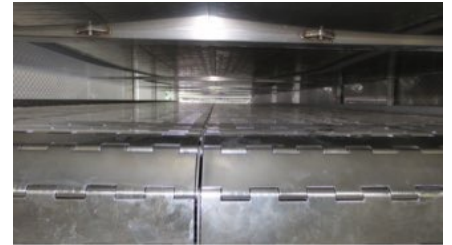
IQF Freezer with automatic layer freezer belt



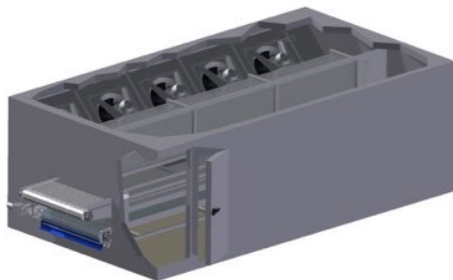
Freezing elements



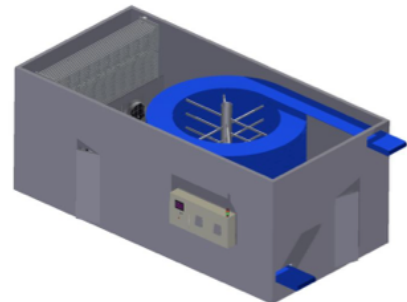
Freezing elements



Freezing tunnel belt



Belt Freezer



Spiral Freezer

High Quality Output

Fast IQF. Freezing plant for food products, the whole process gently handles the raw material



Our spiral systems are characterized by simplicity in design and construction.

Main advantages of our spiral freezers:

- ★ Self stackable unique stainless steel mesh belt
- ★ Each system is easy to operate
- ★ Easy to maintain and easy to clean
- ★ Horizontal airflow

Effective horizontal airflow give you:

- ★ Quick freezing time and reduced product dehydration
- ★ Maximum belt load and independence of belt frost up, minimum size and more up-time.
- ★ Low ventilator pressure and small freezer volume, minimized energy consumption
- ★ No need for mezzanine floor and thereby less cleaning
- ★ Big air cooler with big face area and distance between the fins reduce need for defrosting

Custom made Freezing tunnels

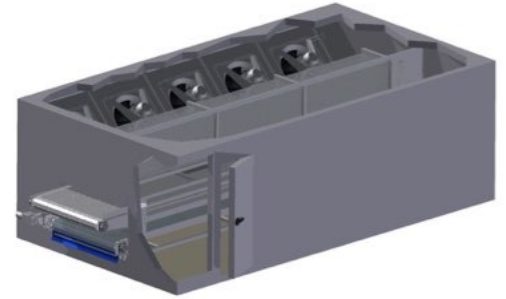
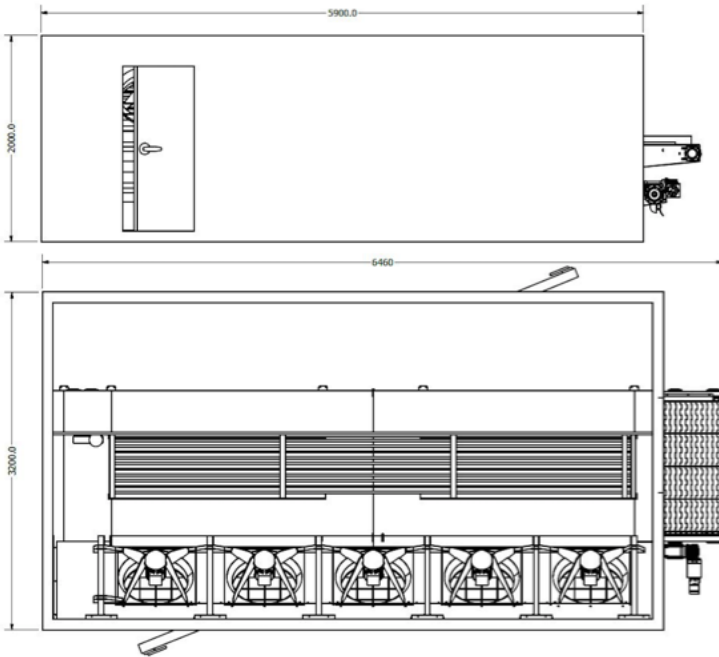
The capacity and dimensions are according to customers specification. Our firm can offer specially designed freezing tunnels for shrimps, scallops and fillets at reasonable prices. our freezing tunnels are suitable for freezing of all types of seafood.

Benefits:

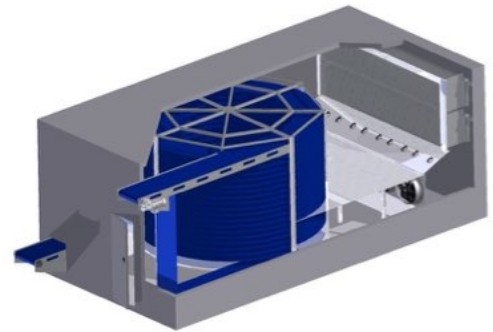
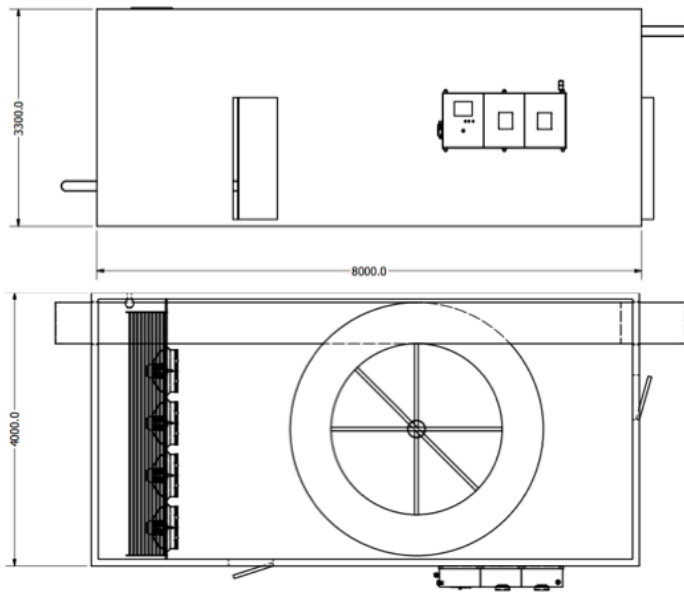
Freezing tunnels selection:

- ★ **Mesh-belt IQF spiral freezers**
- ★ **Mesh-belt IQF belt freezers**
- ★ **Stainless-steel belt IQF**
- ★ **Blast air**
- ★ **Containerized freezing equipment**
- ★ Capacity at your request
- ★ Material: Stainless Steel
- ★ User friendly touch screen
- ★ PC. internet connection
- ★ Long lasting belts
- ★ Safe & easy to operate

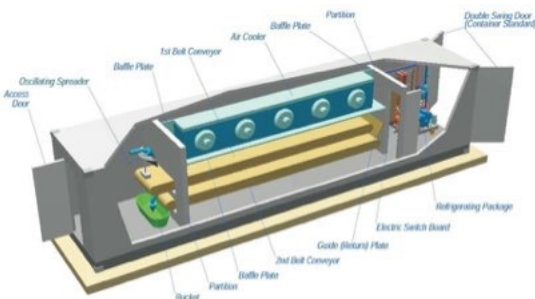
Freezing Systems



Belt Blast Freezer



Spiral Freezer



IQF Freezer Model TR-200
Self-Contained and Transportable

The equipment is installed in a Standard Insulated 40 foot Ocean Going ISO Container.

Optimize your investment with custom-made solutions

Traust Know How, Ltd., has been a leader developing processing equipment for over 30 years. Our qualified team of engineers with years of experience design and develop all our processing plants/ equipment to suit the needs of processing industries around the world.

